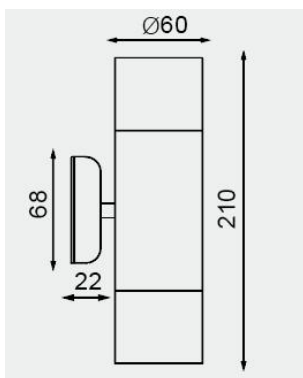


Eurolumen · Light Fixture Specifications Table



ELA403

TECHNICAL DATA

Wattage: 12W

SDCM: ≤ 5

Color temperature (CCT): 2700K/3000K/4000K

CRI: 80

Beam Angle: 10° 23° 36°

Voltage: 24V 220V

Dimming Support: ON/OFF

Finish: Copper

Material: Solid Copper With Tempered Glass

Useful life: 50,000h

Warranty: 5 Years

PERFORMANCE



Image may not match reference. EUROLUMEN reserves the right to amend any of the product's components. The data related to flux, power and colour temperature maybe subject to changes made by the manufacturer.